

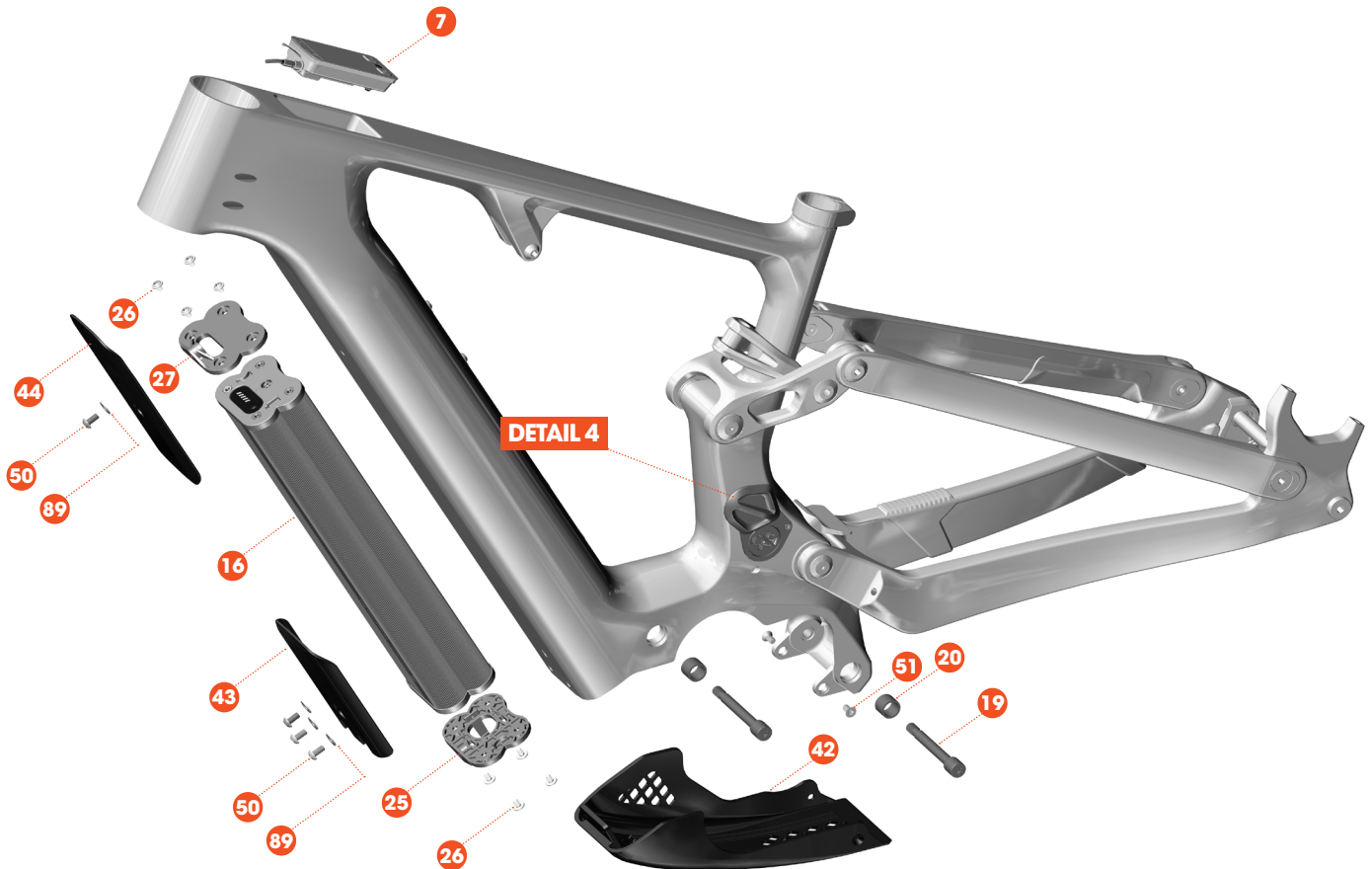
DESCRIPTION	PART NUMBER	QTY	ASSEMBLY
1 Hanger Rear UDH	CMPHUDH01	1	
4 Battery mounting Bosch PowerMore Holder	Bosch EB12.110.01A	1	
5 Battery Bosch PowerMore 250 (NA)	Bosch EB12.100.02T	1	
5 Battery Bosch PowerMore 250 (EU)	Bosch EB12.100.02S	1	
11 Bearing 6902 LLU Max	CMPWFB6902LLUMAX	2	
22 Cable routing clamp 1 cable	CMPWCG13H	1	
29 Axle Rear 12x148 12D-180L-1.0P-13TL	CMPAXR12A	1	11Nm
32 Pivot spacer 15ID 24OD 1.5L	CMPBTHH24PH08	8	
33 Pivot hardware Female M10x1.0x76L	CMPBTHH24PH11	1	
34 Pivot spacer 15.5ID 21OD 39L	CMPBTHH24PH12	1	
39 Frame protection Chainstay	CMPWFP00070	1	
40 Frame protection Chainstay Bridge	CMPWFP00380	1	

DESCRIPTION	PART NUMBER	QTY	ASSEMBLY
41 Frame protection Seatstay	CMPWFP00071	1	
48 Screw M4x0.7x10L Flathead	n/a	2	
54 Screw M5x0.8x35L Flathead	CMPBTG2PR01	3	3Nm
63 Electric wire Bosch Cable PowerMore 100mm 180°	Bosch EB12.120.04D	1	
64 Pivot hardware Male M10x1.0x20L	CMPBTG2PR18B	1	12Nm
67 Pivot hardware Male M5x0.8x25.5L	CMPBTM255	1	6Nm
68 Pivot hardware Male M15x1.0x29.5L	CMPBTRE0002	1	15Nm
69 Pivot hardware Female M5x0.8x39.5L	CMPBTF395	1	6Nm
74 Nut M8 Bosch DU	CMPBT00379	2	
81 Seat clamp SC66M 34.9mm ID	CMPSCJD66M4349	1	6Nm
88 Washer 5.2ID 12.5OD 1.5L	CMPPHW00267	1	

ASSEMBLE WITH GREASE

ADHESIVE BACKED

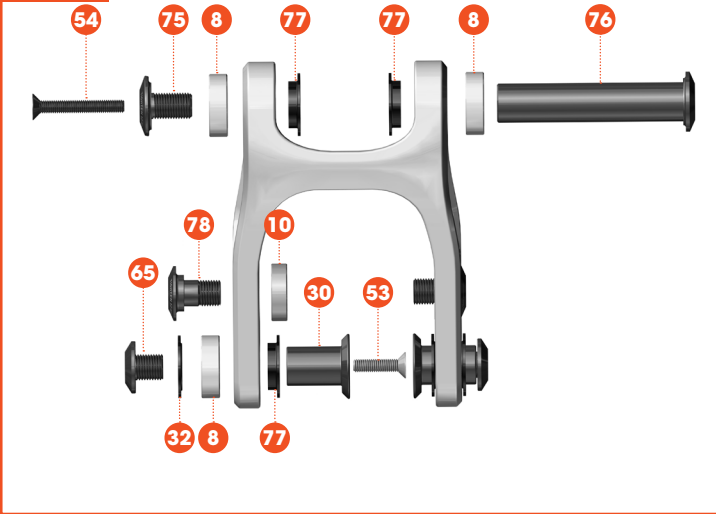
THREADLOCK



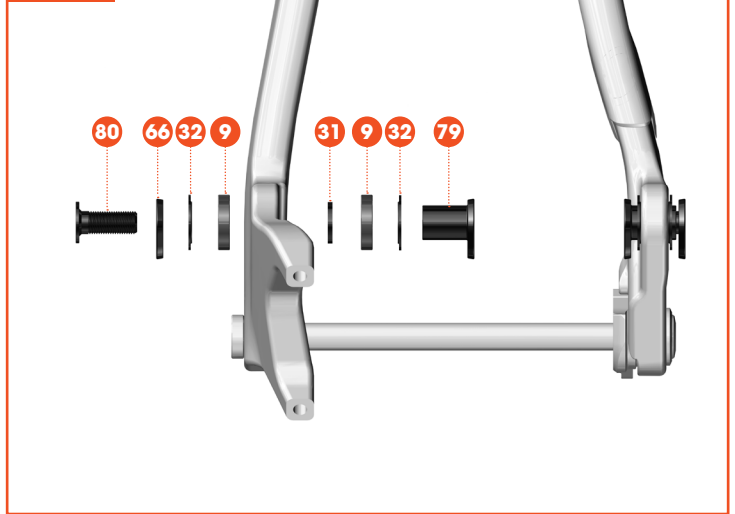
	DESCRIPTION	PART NUMBER	QTY	ASSEMBLY
7	Display Bosch Kiox 400C	Bosch EB13.100.00Z	1	
16	Battery Bosch PowerTube 400 (NA)	Bosch EB12.100.046	1	
16	Battery Bosch PowerTube 400 (EU)	Bosch EB12.100.020	1	
19	E-BIKE hardware Bosch Screw M8x1x68.7 Short	Bosch EB11.200.12G	2	
20	E-BIKE hardware Bosch Insert Sleeve	Bosch EB11.200.12F	2	
25	E-BIKE hardware Bosch Screw-On Plate Lower	Bosch EB12.100.03S	1	
26	E-BIKE hardware Bosch Screw M4x6	Bosch EB12.100.03U	8	
27	E-BIKE hardware Bosch Screw-On Plate Upper	Bosch EB12.100.03T	1	

	DESCRIPTION	PART NUMBER	QTY	ASSEMBLY
42	Frame protection DU Cover	CMPWFP00072	1	
43	Frame protection Downtube Lower	CMPWFP00065	1	
44	Frame protection Downtube Upper Small	CMPWFP00066	1	
44	Frame protection Downtube Upper Medium	CMPWFP00067	1	
44	Frame protection Downtube Upper Large	CMPWFP00068	1	
44	Frame protection Downtube Upper X-Large	CMPWFP00069	1	
50	SCREW M5x0.8x10L Buttonhead	n/a	6	
51	SCREW M5x0.8x10L Flathead	n/a	4	
89	WASHER 5.3ID 12OD 1.0L	n/a	4	

DETAIL 1

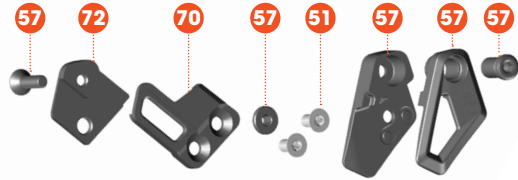


DETAIL 2



DESCRIPTION	PART NUMBER	QTY	ASSEMBLY
8 Bearing 3802 LLU Max	CMPWFB3802LLUMAX	4	
10 Bearing 6900 LLU Max	CMPWFB6900LLUMAX	2	
30 Pivot hardware Teardrop Nut M10x24L	CMPBTHH24PH06	2	
32 Pivot spacer 15ID 24OD 1.5L	CMPBTHH24PH08	8	
53 Screw M5x0.8x20L Flathead	CMPBTG2PR03S	2	3Nm
54 SCREW M5x0.8x35L Flathead	CMPBTG2PR01	3	3Nm
65 Pivot hardware Male M10x1.0x14.5L	CMPBTG2PR16AX	2	8Nm
75 Pivot hardware Male M10x1.0x20L	CMPBT00375	1	12Nm
76 Pivot hardware Female M10x1.0x75.5L	CMPBT00374	1	12Nm
77 Pivot spacer 15ID 24OD 4.5L	CMPBTG2PR10H	4	
78 Pivot hardware Male M10x1.0x20L	CMPBT00376	2	12Nm

DESCRIPTION	PART NUMBER	QTY	ASSEMBLY
9 Bearing 6802 LLU Max	CMPWFB6802LLUMAX	4	
31 Pivot hardware Spacer 180Dx15IDx2.0T	CMPBTHH24PH07	2	
32 Pivot spacer 15ID 24OD 1.5L	CMPBTHH24PH08	8	
66 Pivot spacer 15ID 21OD 3L	CMPBTG2PR21BX	2	
79 Pivot hardware Female M10x1.0x22.5L	CMPBT00373	2	
80 Pivot hardware Male M10x1.0x26.5L	CMPBT00372	2	12Nm

DETAIL 3


DESCRIPTION	PART NUMBER	QTY	ASSEMBLY
57 CHAIN GUIDE SUBASSEMBLY OneUp	n/a	1	
70 CHAIN GUIDE Base Plate	CMPWFP00370	1	
72 CHAIN GUIDE Upper Plate	CMPWFP00371	1	

DETAIL 4

COBS Assembly
CMPEBP00378

DESCRIPTION	PART NUMBER	QTY	ASSEMBLY
2 COBS spring	CMPEBP00378	1	
15 COBS Baseplate	CMPEBP00378	1	
24 COBS Cover	CMPEBP00378	1	
46 Screw M3x0.5x8L Flathead	CMPEBP00378	2	0.333Nm
62 Screw M3xSelfTapx10L Buttonhead	CMPEBP00378	1	
87 Washer 3.1ID 8OD 0.8L	CMPEBP00378	1	
17 Battery cable Bosch Cable PowerTube Charging Socket 350mm	Bosch EB12.120.03W	1	sold by Bosch
55 E-BIKE Hardware Bosch O-Ring 24x2	Bosch EB12.120.019	1	sold by Bosch

Frequently Asked Questions

BOTTOM BRACKET SPINDLE	ISIS
CLASS	1
BRAKE ROTOR MAX DIAMETER	203MM
BRAKE ROTOR NATIVE DIAMETER	180MM
CHAINLINE - 1X	55MM
CHAINRING SIZE MAX - 1X	36t
FORK STEERER	Tapered 1.125-1.5" / 28.6-38.1mm
HANGER	UDH/T-TYPE
HEADTUBE ID- UPPER	56MM
HEADTUBE ID- LOWER	56MM
ISCG MOUNT	ISCG05
RANGE EXTENDER COMPATIBLE	YES
REAR AXLE	12 X 148 / 12-180-P1.0-13
REAR SHOCK EYE-TO-EYE X STROKE	230X60MM
REAR SHOCK- LOWER HARDWARE	20X8MM
SEATCLAMP INSIDE DIAMETER	34.9MM
SEATPOST DIAMETER	31.6MM
SEATPOST INSERTION MAX	S-M 270MM / L 300MM / XL 340MM