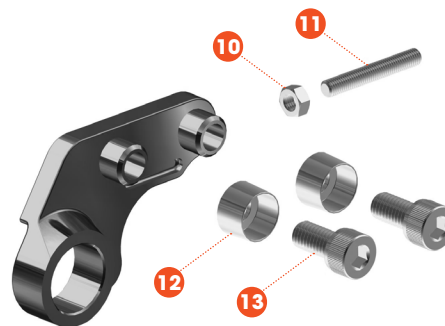
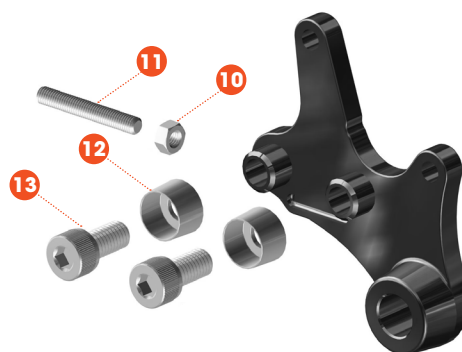


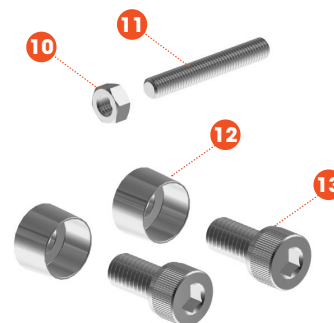
	DESCRIPTION	PART NUMBER	QTY	ASSEMBLY
	HANGER KIT OFS Slider Driveside UDH Black	CMPH6360074WB		
10	NUT M5x0.8mm Stainless	CMPBTCC3	1	
11	SCREW Tension M5 x 0.8mm x 35mm L	CMPBTCC3	1	
12	WASHER Chamfered For M8 Screw	CMPBTCC2	2	
13	SCREW M8 x 1.25mm x 18mm L SHCS	CMPBTCC1	2	20-25Nm



	DESCRIPTION	PART NUMBER	QTY	ASSEMBLY
	HANGER KIT OFS Slider Non-Driveside ISO Black	CMPH6360075WB		
10	NUT M5x0.8mm Stainless	CMPBTCC3	1	
11	SCREW Tension M5 x 0.8mm x 35mm L	CMPBTCC3	1	
12	WASHER Chamfered For M8 Screw	CMPBTCC2	2	
13	SCREW M8 x 1.25mm x 18mm L SHCS	CMPBTCC1	2	20-25Nm



	DESCRIPTION	PART NUMBER	QTY	ASSEMBLY
	SCREW ASSEMBLY Hanger Fixing Bolt Kit	CMPHBTCC03		
10	NUT M5x0.8mm Stainless	CMPBTCC3	1	
11	SCREW Tension M5 x 0.8mm x 35mm L	CMPBTCC3	1	
12	WASHER Chamfered For M8 Screw	CMPBTCC2	2	
13	SCREW M8 x 1.25mm x 18mm L SHCS	CMPBTCC1	2	20-25Nm



	DESCRIPTION	PART NUMBER	QTY	ASSEMBLY
	CABLE ROUTING CLAMP 2 Cable	CMPWCG076	1	
	CABLE ROUTING GROMMET Blanking	CMPCG09	1	
	CABLE ROUTING GROMMET 1 Cable	CMPWCG12H	1	



**Frequently Asked Questions**

AXLE SPEC- FRAME	12D-180L-1.0P-13TL
BB-FRAME INTERFACE	BSA 73
BRAKE MOUNT	INTERNATIONAL STANDARD
CHAINLINE- 1X	55mm
CHAINLINE- 2X/3X	n/a
CHAINRING SIZE MAX- 1X	36t
CHAINRING SIZE MAX- 2X/3X	n/a
DROPOUT SPACING	12X148mm
EYE TO EYE X STROKE	N/A
FORK STEERER	Tapered 1.125-1.5" / 28.6-38.1mm
FRONT DERAILLEUR HANGER SPEC	n/a
FRONT DERAILLEUR MOUNT	n/a
HEADTUBE ID- UPPER	44mm
HEADTUBE ID- LOWER	44mm
ISCG MOUNT	ISCG-05
RD HANGER SPEC	UDH/T-TYPE
ROTOR DIAMETER MAX- FRAME	203mm
ROTOR DIAMETER MIN- FRAME	160mm
SEATCLAMP SPEC	34.9mm
SEATPOST DIAMETER	31.6mm
SEATPOST INSERTION MAX	S 280mm / M 325mm / L 370mm / XL 415mm
SHAFT HARDWARE	n/a
SUSPENSION MAX- FORK	100mm
SUSPENSION MAX- FRAME	n/a
TIRE SIZE MAX- FORK	n/a
TIRE SIZE MAX- FRAME	29x2.6"