

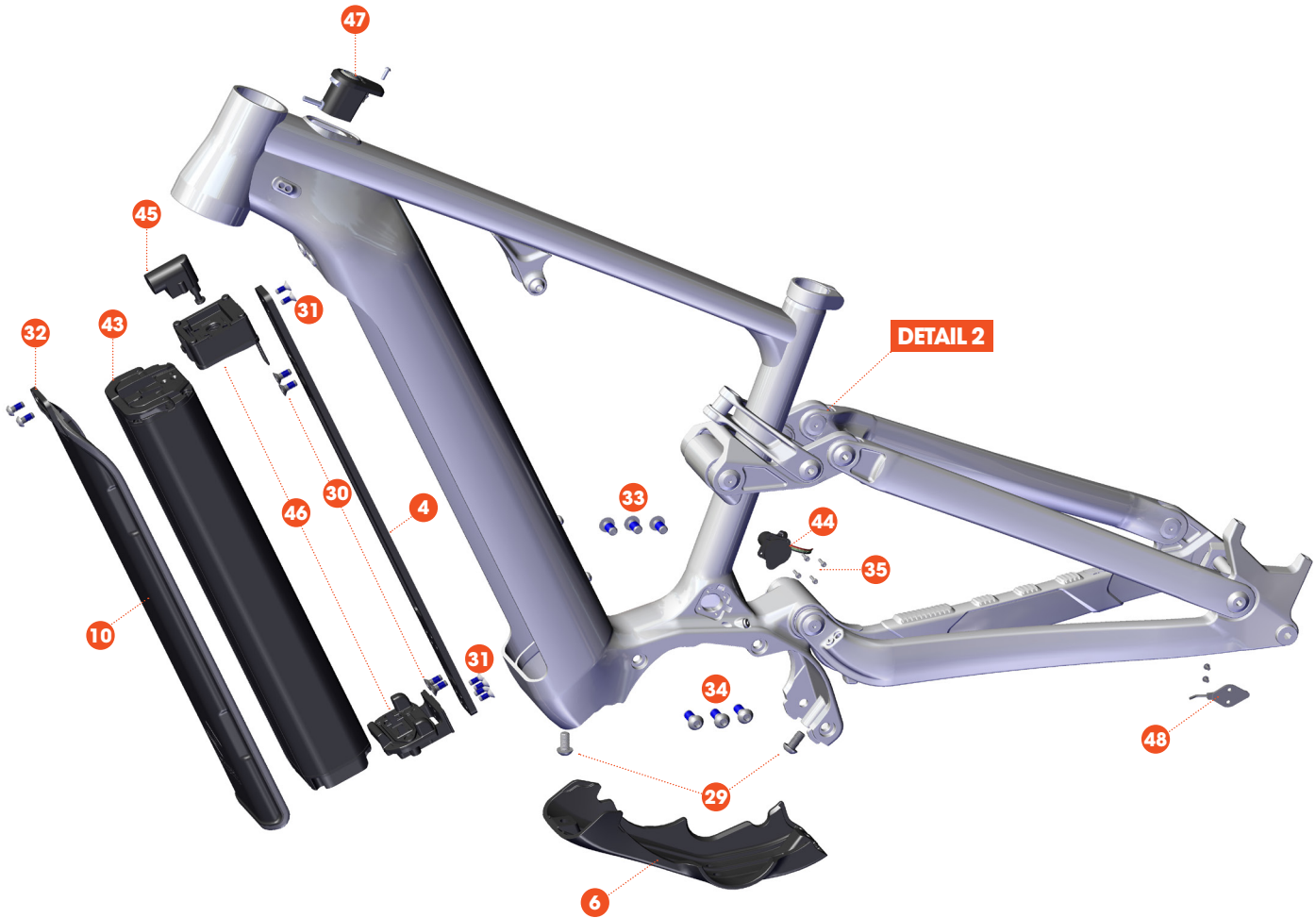
	DESCRIPTION	PART NUMBER	QTY	ASSEMBLY
1	BEARING 6902-2RSV	CMPWFB69022RS	10	
2	CABLE ROUTING CLAMP 1 cable	CMPWCG13H	1	
3	FRAME PROTECTION Chainstay	CMPWFP10XAL	1	
5	CABLE ROUTING GROMMET 2 cable	CMPWCGRE16001	2	
7	FRAME PROTECTION Chainstay	CMPWFPREX03	1	
8	CABLE ROUTING GROMMET 1 wire	CMPWCG16H	3	
9	CABLE ROUTING GROMMET 1 cable	CMPWCG27	1	
11	HANGER Rear UDH	CMPHUDH01	1	
13	PIVOT HARDWARE Female M5x0.8X39.5L	CMPBTF395	1	6Nm
14	PIVOT HARDWARE Male M5x0.8x25.5L	CMPBTM255	1	6Nm
15	SCREW M5x0.8x15L button head	NA	2	3Nm

	DESCRIPTION	PART NUMBER	QTY	ASSEMBLY
16	WASHER 5.3ID 9OD 1.0L	NA	2	
19	PIVOT HARDWARE Male M10x1.0x20L	CMPBTG2PR18B	2	12Nm
20	WASHER 5.2ID 12.5OD 1.5L	CMPPHW00267	1	
21	SCREW M5x0.8x35L flathead	CMPBTG2PR01	3	3Nm
24	PIVOT HARDWARE Male M15x1.0x29.5L	CMPBTRE0002	1	15Nm
25	PIVOT HARDWARE Female M10x1.0x78L	CMPBTRE0003	1	
26	PIVOT SPACER 15.5ID 21OD 38.4L	CMPBTRE0004	1	
27	PIVOT SPACER 15.5ID 21OD 46L	CMPBTRE0005	1	
28	PIVOT HARDWARE Female M10x1.0x79.5L	CMPBTRE0006	1	
38	SEAT CLAMP 34.9, JD-SC119A-5	CMPSCJD119A349	1	5-6Nm
42	AXLE 12-180-P1.0-13	CMPAXR12B	1	9-13.5Nm

ASSEMBLE WITH GREASE

ASSEMBLE WITH PRE APPLIED THREADLOCK

ADHESIVE BACKED



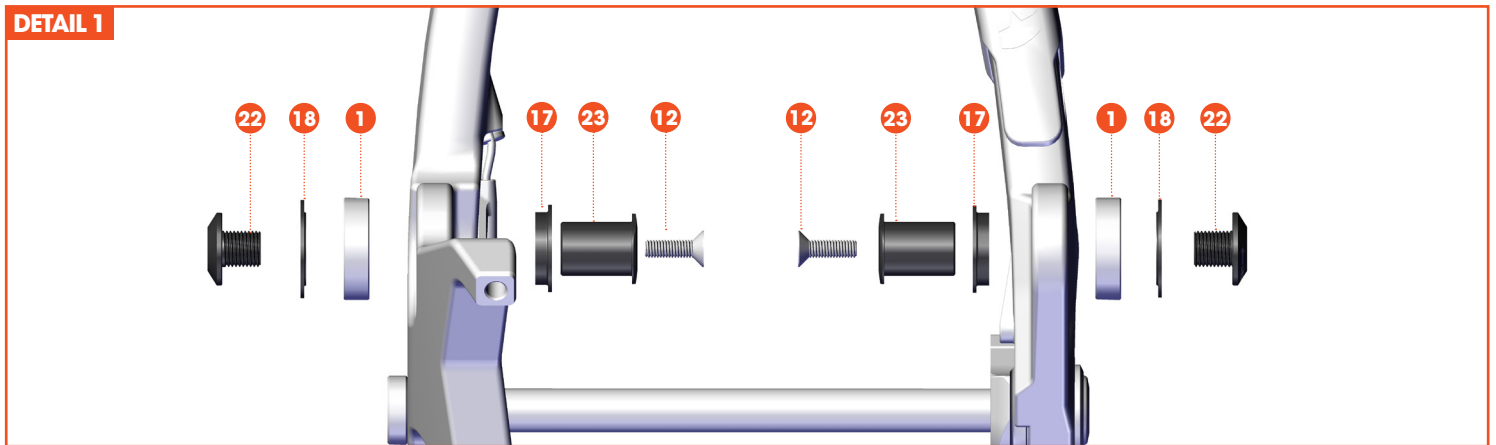
DESCRIPTION	PART NUMBER	QTY	ASSEMBLY
4 E-BIKE PART Battery Adapter Plate	CMPWFPREX02	1	
6 FRAME PROTECTION Motor Cover	CMPWFP0006	1	
10 FRAME PROTECTION Battery Cover	CMPWFPREX04	1	
29 SCREW M8x1.25x16L button head	CMPBTRE16004C	2	10Nm
30 SCREW M6x1.0x14L flat head	CMPBTM6114F	4	8Nm
31 SCREW M5x0.8x12L flat head	CMPBTM5812F	6	5Nm
32 SCREW M6x1.0x12L button head	CMPBTM6112B	2	3Nm
33 SCREW M8x1.25x16L button head	CMPBTRE16004B	3	10-12.5Nm
34 SCREW M8x1.25x20L button head	CMPBTRE16004A	3	10-12.5Nm
35 SCREW M2.5x0.45x10L socket head	CMPBT254510	4	1Nm
43 BATTERY Darfon E5C06, 612Wh	CMPEBP00266	1	

DESCRIPTION	PART NUMBER	QTY	ASSEMBLY
44 CHARGING SOCKET Darfon 20A	CMPEBP00265	1	
45 BATTERY LOCK Darfon Tooled (Keyless)	CMPEBP00261	1	
46 BATTERY MOUNT Darfon Horizontal Short 300mm	CMPEBP00262	1	
47 POWER BUTTON KIT Darfon USB-C w/ M3x0.5x10mm screw	CMPEBP00263	1	
48 SPEED SENSOR KIT Shimano EW-SS301 w/ M3x0.5x5mm screws	NA	1	
DRIVE UNIT Shimano DU-EP800	NA	1	
DRIVE UNIT COVER Shimano DC-EP800-A	NA	1	
CHARGER Darfon Smart 4A US	CMPEBP00268	1	
CHARGER ADAPTER Darfon	CMPEBP00269	1	

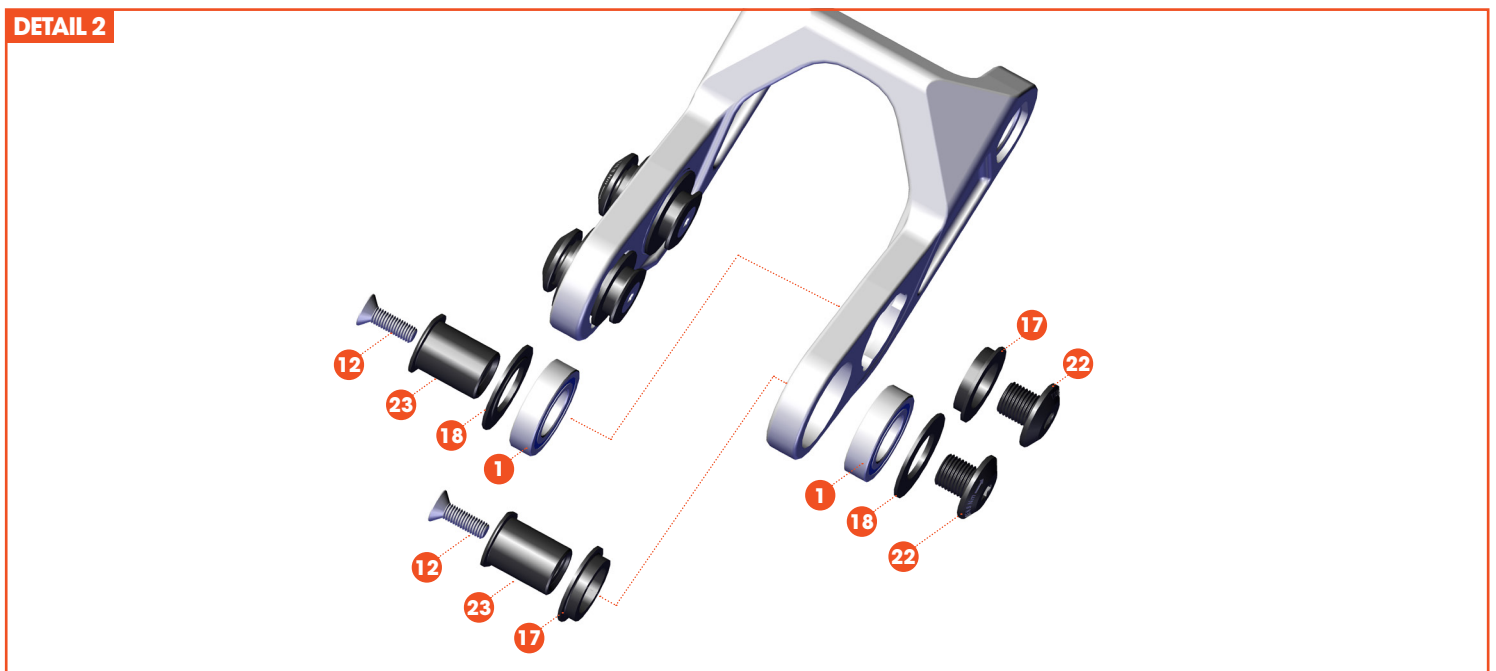
Remote X

KN00117

DETAIL 1



DETAIL 2



DESCRIPTION	PART NUMBER	QTY	ASSEMBLY
1 BEARING 6902-2RSV	CMPWFB69022RS	10	
12 SCREW M5x0.8x16L flathead	CMPBTG2PR03S	6	3Nm
17 PIVOT SPACER 15ID 24OD 4.5L	CMPBTG2PR10H	6	
18 PIVOT SPACER 15ID 27OD 1.5L	CMPBTG2PR09H	6	
22 PIVOT HARDWARE Male M10x1.0x14.5L	CMPBTG2PR16AX	6	8Nm
23 PIVOT HARDWARE Female M10x1.0x20L	CMPBTG2PR16B	6	

Frequently Asked Questions

REAR SHOCK EYE-TO-EYE X STROKE	230 x 65mm
REAR SHOCK- LOWER HARDWARE	20 x 8mm
HEADTUBE ID- UPPER	44mm
HEADTUBE ID- LOWER	56mm
HANGER	UDH/T-Type
SEATPOST DIAMETER	31.6mm

Frequently Asked Questions continued

SEATCLAMP INSIDE DIAMETER	34.9mm
STEERER	Tapered 1.125-1.5" / 28.6-38.1mm
MAX CHAINRING SIZE - 1X	36t
CHAINLINE - 1X	55mm
RANGE EXTENDER COMPATIBLE	No
MAX SEATPOST INSERTION	S-M 250mm / L 290mm / XL 300mm
BRAKE ROTOR NATIVE DIAMETER	180mm
MAX BRAKE ROTOR DIAMETER	220mm
ISCG MOUNT	Shimano STEPS/EP8
DRIVE UNIT TORQUE	85Nm
CLASS	Class 1
BB SPINDLE	Shimano 24mm narrow