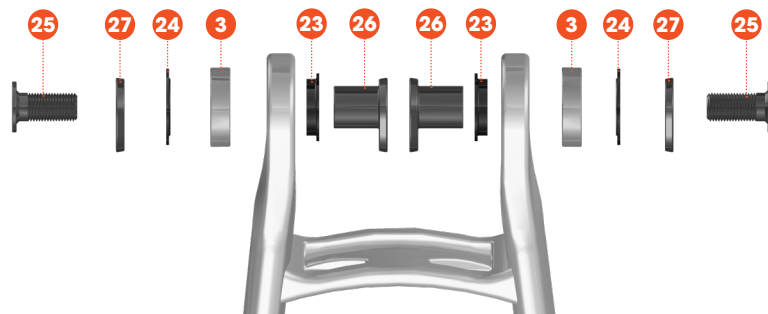
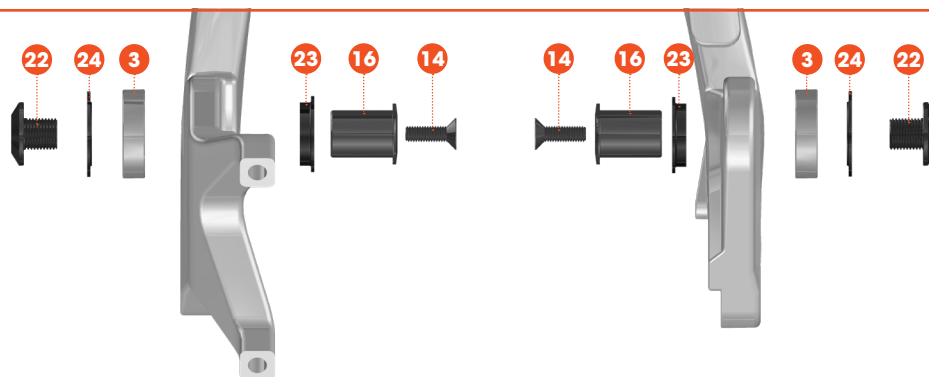


	DESCRIPTION	PART NUMBER	QTY	ASSEMBLY
1	Hanger, Rear, UDH	CMPHUDH01	1	
2	Washer, 5.2ID, 12.5OD, 1.5L	CMPPHW00267	1	
3	Bearing, 6902 LLU Max	CMPWFB6902LLUMAX	8	
4	Bearing, 6900 LLU Max	CMPWFB6900LLUMAX	2	
5	Cable routing, Clamp, 1 cable	CMPWCG13H	1	
7	Axle, 12-180-P1.0-13	CMPAXR12B	1	9-13.5Nm
11	Screw, M5x0.8, 15L, button head	NA	2	3Nm
12	Screw, M5x0.8, 16L, flathead	CMPBTG2PR03	2	
14	Screw, M5x0.8, 16L, flathead	CMPBTG2PR03S	2	
15	Screw, M5x0.8, 35L, flathead	CMPBTG2PR01	3	
16	Pivot hardware, Female, M10x1.0, 20L	CMPBTG2PR16B	2	
17	Pivot spacer, 15.5ID, 21OD, 38L	CMPBTG2PR19CX	1	
18	Pivot hardware, Female, M10x1.0, 70L	CMPBTG2PR18A	1	
19	Pivot Hardware, Male, M10x1.0, 20L	CMPBTG2PR18B	2	12Nm
20	Pivot hardware, Male, M10x1.0, 19L	CMPBTM03	2	12Nm

	DESCRIPTION	PART NUMBER	QTY	ASSEMBLY
21	Pivot hardware, Female, M10x1.0, 83L	CMPBTG2PR19AX	1	
22	Pivot Hardware, Male, M10x1.0, 14.5L	CMPBTG2PR16AX	2	8Nm
23	Pivot Spacer, 15ID, 24OD, 4.5L	CMPBTG2PR10H	4	
24	Pivot Spacer, 15ID, 27OD, 1.5L	CMPBTG2PR09H	4	
25	Pivot hardware, Male, M10x1.0, 23L	CMPBTG2PR21CX	2	12Nm
26	Pivot hardware, Female, M10x1.0, 19L	CMPBTG2PR21AX	2	
27	Pivot spacer, 15ID, 21OD, 3L	CMPBTG2PR21BX	2	
28	Pivot hardware, Male, M5x0.8, 25.5L	CMPBTM255	1	6Nm
29	Pivot spacer, 15.5ID, 21OD, 48L	CMPBTG2PR18CX	1	
31	Frame Protection, Chainstay	CMPWFP10XAL	1	
32	Pivot hardware, Female, M5x0.8, 39.5L	CMPBTF395	1	6Nm
33	Seatclamp, 34.9	CMPSCJD119A349	1	5-6Nm
34	Cable routing, Clamp, 3 cable	CMPWCG04H	2	
35	Cable Routing, Grommet, 1 cable	CMPWCG12H	1	
37	Washer, 5.3ID, 9OD, 1.0L	NA	2	

ASSEMBLE WITH GREASE

ADHESIVE BACKED

DETAIL 1

DETAIL 2

Bolt Kit

CMPBK23

DESCRIPTION	PART NUMBER	QTY	ASSEMBLY
2 Washer, 5.2ID, 12.5OD, 1.5L	120-00267	1	
5 Cable routing, Clamp, 1 cable	CMPWCG13H	1	
11 Screw, M5x0.8, 15L, button head	NA	2	
12 Screw, M5x0.8, 16L, flathead	CMPBTG2PR03	2	
12 Washer, 5.3ID, 9OD, 1.0L	NA	2	
14 Screw, M5x0.8, 16L, flathead	CMPBTG2PR03S	2	
15 Screw, M5x0.8, 35L, flathead	CMPBTG2PR01	3	
16 Pivot hardware, Female, M10x1.0, 20L	CMPBTG2PR16B	2	
17 Pivot spacer, 15.5ID, 21OD, 38L	CMPBTG2PR19CX	1	
18 Pivot hardware, Female, M10x1.0, 70L	CMPBTG2PR18A	1	
19 Pivot Hardware, Male, M10x1.0, 20L	CMPBTG2PR18B	2	12Nm
20 Pivot hardware, Male, M10x1.0, 19L	CMPBTTM03	2	12Nm
21 Pivot hardware, Female, M10x1.0, 83L	CMPBTG2PR19AX	1	
22 Pivot Hardware, Male, M10x1.0, 14.5L	CMPBTG2PR16AX	2	8Nm
23 Pivot Spacer, 15ID, 24OD, 4.5L	CMPBTG2PR10H	4	
24 Pivot Spacer, 15ID, 27OD, 1.5L	CMPBTG2PR09H	4	
25 Pivot hardware, Male, M10x1.0, 23L	CMPBTG2PR21CX	2	12Nm
26 Pivot hardware, Female, M10x1.0, 19L	CMPBTG2PR21AX	2	
27 Pivot spacer, 15ID, 21OD, 3L	CMPBTG2PR21BX	2	
28 Pivot hardware, Male, M5x0.8, 25.5L	CMPBTM255	1	6Nm
29 Pivot spacer, 15.5ID, 21OD, 48L	CMPBTG2PR18CX	1	
32 Pivot hardware, Female, M5x0.8, 39.5L	CMPBTF395	1	6Nm
34 Cable routing, Clamp, 3 cable	CMPWCG04H	2	

Bearing Kit

CMPBCBK27

DESCRIPTION	PART NUMBER	QTY	ASSEMBLY
3 Bearing, 6902 LLU Max	CMPWFB6902LLUMAX	8	
4 Bearing, 6900 LLU Max	CMPWFB6900LLUMAX	2	

Frequently Asked Questions

BOTTOM BRACKET	PF 92
SHOCK	EYE TO EYE 205mm / STROKE 57.5mm
REAR SHOCK - LOWER HARDWARE	20 x 8mm
HEADTUBE ID - UPPER	44
HEADTUBE ID - LOWER	56
HANGER	UDH/T-Type
SEAT TUBE	POST 31.6mm CLAMP 34.9mm
STEERER	TAPERED 1.5" / 28.6-38.1
MAX CHAINRING SIZE	36T
CHAINLINE	52mm
MAX SEATPOST INSERTION	S-M 270mm / L 300mm / XL 320mm
BRAKE ROTOR NATIVE DIAMETER	180MM
MAX BRAKE ROTOR DIAMETER	203MM
ISCG MOUNT	ISCG 05
REAR AXLE	12 x 148 / 12-180-P1.0-13